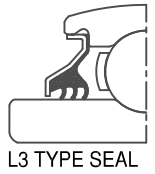
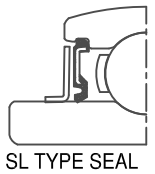
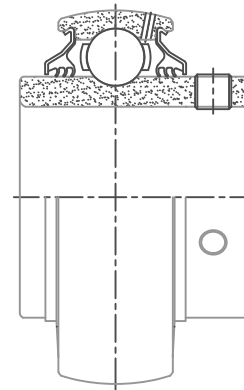
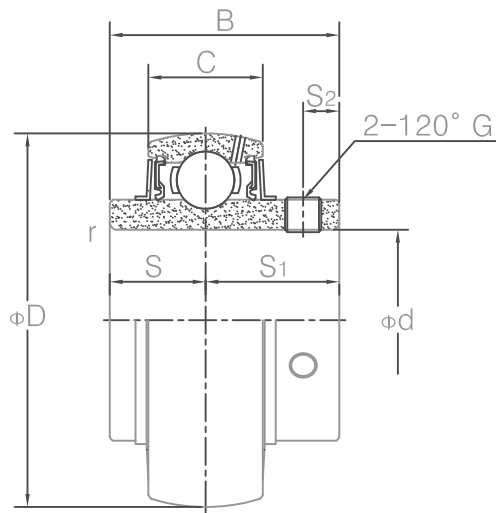


# INSERT BALL BEARINGS

# UC2

(NORMAL DUTY)

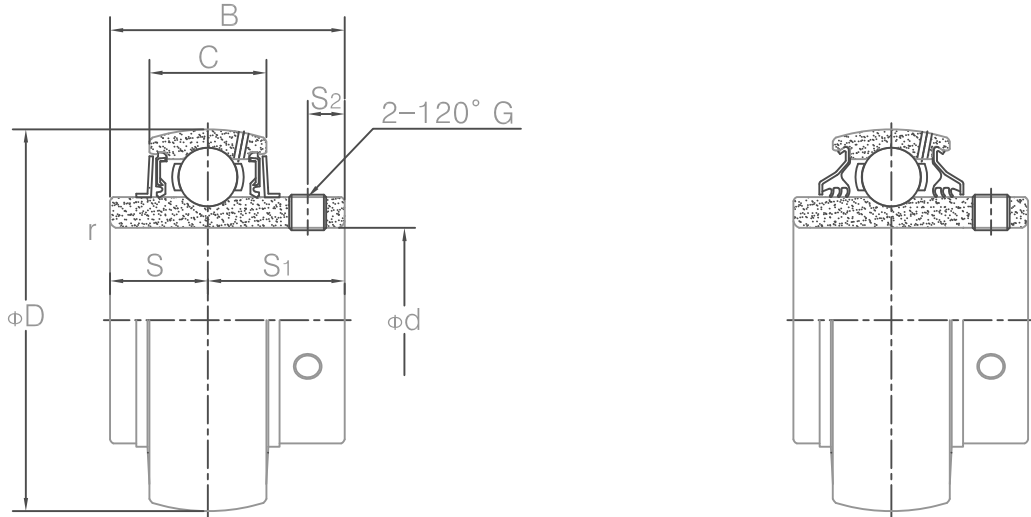


Bearing No.	Bore Dia. of Bearing		Dimensions (in./mm)								Basic Load Rating (kgf)	Basic Static Road Rating (kgf)	Weight (kgf)		
	d (in.)	d (mm)	D	B	C	r	S	S <sub>1</sub>	S <sub>2</sub>	G					
UC 201		12													0.21
201-8	1/2														0.21
202		15	1.8504	1.2205	0.6299	0.0397	0.5000	0.7205	0.1969	M6 x 0.75	1280	670		0.19	
202-10	5/8		47	31.0	16	1.0	12.7	18.3	5	1/4-28UNF				0.19	
203		17												0.18	
204-12	3/4													0.16	
204		20												0.16	
UC 205-14	7/8		2.0472	1.3425	0.6693	0.0591	0.5630	0.7795	0.2165	M6 x 0.75	1400	790		0.23	
205-15	15/16		52	34.1	17	1.5	14.3	19.8	5.5	1/4-28UNF				0.21	
205		25												0.20	
205-16	1													0.20	
UC 206-18	1 1/8		2.4409	1.5000	0.7480	0.0591	0.6260	0.8740	0.2362	M6 x 0.75	1950	1130		0.34	
206		30	62	38.1	19	1.5	15.9	22.2	6	1/4-28UNF				0.32	
206-19	1 3/16													0.32	
206-20	1 1/4													0.28	
UC 207-20	1 1/4		2.8346	1.6890	0.7874	0.0787	0.6890	1.0000	0.2559	M8 x 1.0	2570	1540		0.54	
207-21	1 5/16		72	42.9	20	2.0	17.5	25.4	6.5	5/16-24UNF				0.51	
207-22	1 3/8													0.48	
207		35												0.48	
207-23	1 7/16													0.45	
UC 208-24	1 1/2		3.1496	1.9370	0.8268	0.0787	0.7480	1.1890	0.3150	M8 x 1.0	2910	1790		0.68	
208-25	1 9/16		80	49.2	21	2.0	19.0	30.2	8	5/16-24UNF				0.65	
208		40												0.64	
UC 209-26	1 5/8		3.3465	1.9370	0.8661	0.0787	0.7480	1.1890	0.3150	M8 x 1.0	3200	2040		0.78	
209-27	1 11/16		85	49.2	22	2.0	19.0	30.2	8	5/16-24UNF				0.74	
209-28	1 3/4													0.70	
209		45												0.68	
UC 210-30	1 7/8		3.5433	2.0315	0.9055	0.0787	0.7480	1.2835	0.3543	M8 x 1.0	3510	2320		0.87	
210-31	1 15/16		90	51.6	23	2.0	19.0	32.6	9	5/16-24UNF				0.82	
210		50												0.80	
210-32	2													0.74	
UC 211-32	2		3.9370	2.1890	0.9843	0.0984	0.8740	1.3150	0.3543	M10 x 1.25	4330	2940		1.26	
211-34	2 1/8		100	55.6	25	2.5	22.2	33.4	9	3/8-24UNF				1.15	
211		55												1.11	
211-35	2 3/16													1.09	
UC 212-36	2 1/4		4.3307	2.5630	1.0630	0.0984	1.0000	1.5630	0.4134	M10 x 1.25	5240	3610		1.67	
212		60	110	65.1	27	2.5	25.4	39.7	10.5	3/8-24UNF				1.54	
212-38	2 3/8													1.52	
212-39	2 7/16													1.45	
UC 213-40	2 1/2		4.7244	2.5630	1.1417	0.0984	1.0000	1.5630	0.4724	M12 x 1.5	5720	4000		1.94	
213		65	120	65.1	29	2.5	25.4	39.7	12	7/16-20UNF				1.85	
UC 214-44	2 3/4		4.9213	2.9370	1.1417	0.0984	1.1890	1.7480	0.4724	M12 x 1.5	6220	4400		2.06	
214		70	125	74.6	29	2.5	30.2	44.4	12	7/16-20UNF				2.05	
UC 215-47	2 15/16		5.1181	3.0630	1.1811	0.0984	1.3110	1.7520	0.4724	M12 x 1.5	6740	4820		2.12	
215		75	130	77.8	30	2.5	33.3	44.5	12	7/16-20UNF				2.21	
215-48	3													2.12	
UC 216		80	5.5118	3.2520	1.2598	0.1181	1.3110	1.9410	0.5512	M12 x 1.5	7260	5300		2.79	
			140	82.6	32	3.0	33.3	49.3	14	7/16-20UNF					
UC 217-52	3 1/4		5.9055	3.3740	1.3386	0.1181	1.3425	2.0315	0.5512	M12 x 1.5	8390	6180		3.66	
217		85	150	85.7	34	3.0	34.1	51.6	14	7/16-20UNF				3.45	
UC 218-56	3 1/2		6.2992	3.7795	1.4173	0.1181	1.5630	2.2165	0.5909	M12 x 1.5	9600	7140		4.46	
218		90	160	96.0	36	3.0	39.7	56.3	15	7/16-20UNF				4.35	

# INSERT BALL BEARINGS

# UCX

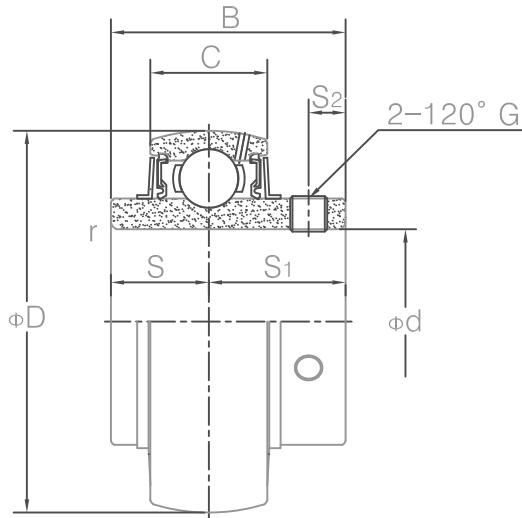
(MEDIUM DUTY)



Bearing No.	Bore Dia. of Bearing		Dimensions (in./mm)								Basic Load Rating (kgf)	Basic Static Road Rating (kgf)	Weight (kgf)
	d		D	B	C	r	S	S <sub>1</sub>	S <sub>2</sub>	G			
	(in.)	(mm)											
UCX 05 05-16	1	25	2.4409 62	1.5000 38.1	0.7480 19	0.0591 1.5	0.6260 15.9	0.8740 22.2	0.2362 6.0	M6 x 0.75 1/4-28UNF	1950	1130	0.39 0.38
UCX 06 X 06-19 X 06-20	1 <sup>3</sup> / <sub>16</sub> 1 <sup>1</sup> / <sub>4</sub>	30	2.8346 72	1.6890 42.9	0.7874 20	0.0591 1.5	0.6860 17.5	1.0000 25.4	0.2559 6.5	M8 x 1.0 5/16-24UNF	2570	1540	0.58 0.58 0.55
UCX 07-22 X 07 X 07-23	1 <sup>3</sup> / <sub>8</sub> 1 <sup>7</sup> / <sub>16</sub>	35	3.1496 80	1.9370 49.2	0.8268 21	0.0787 2.0	0.7480 19.0	1.1890 30.2	0.3150 8.0	M8 x 1.0 5/16-24UNF	2910	1790	0.75 0.75 0.72
UCX 08-24 X 08	1 <sup>1</sup> / <sub>2</sub>	40	3.3465 85	1.9370 49.2	0.8661 22	0.0787 2.0	0.7480 19.0	1.1890 30.2	0.3150 8.0	M8 x 1.0 5/16-24UNF	3200	2040	0.87 0.83
UCX 09-27 X 09-28 X 09	1 <sup>11</sup> / <sub>16</sub> 1 <sup>3</sup> / <sub>4</sub>	45	3.5433 90	2.0315 51.6	0.9055 23	0.0787 2.0	0.7480 19.0	1.2835 32.6	0.3543 9.0	M8 x 1.0 5/16-24UNF	3510	2320	0.10 0.97 0.95
UCX 10-31 X 10 X 10-32	1 <sup>15</sup> / <sub>16</sub> 2	50	3.9370 100	2.1890 55.6	0.9843 25	0.0787 2.0	0.8740 22.2	1.3150 33.4	0.3543 9.0	M10 x 1.25 3/8-24UNF	4330	2940	1.32 1.29 1.26
UCX 11 X 11-35 X 11-36	2 <sup>3</sup> / <sub>16</sub> 2 <sup>1</sup> / <sub>4</sub>	55	4.3307 110	2.5630 65.1	1.0630 27	0.0984 2.5	1.0000 25.4	1.5630 39.7	0.4134 10.5	M10 x 1.25 3/8-24UNF	5240	3610	1.80 1.78 1.70
UCX 12 X 12-38 X 12-39	2 <sup>3</sup> / <sub>8</sub> 2 <sup>7</sup> / <sub>16</sub>	60	4.7244 120	2.5630 65.1	1.1417 29	0.0984 2.5	1.0000 25.4	1.5630 39.7	0.4724 12.0	M12 x 1.5 7/16-20UNF	5720	4000	2.05 2.03 1.95
UCX 13-40 X 13	2 <sup>1</sup> / <sub>2</sub>	65	4.9213 125	2.9370 74.6	1.1417 29	0.0984 2.5	1.1890 30.2	1.7480 44.4	0.4724 12.0	M12 x 1.5 7/16-20UNF	6220	4400	2.61 2.52
UCX 14-44 X 14	2 <sup>3</sup> / <sub>4</sub>	70	5.1181 130	3.0630 77.8	1.1811 30	0.0984 2.5	1.3110 33.3	1.7520 44.5	0.4724 12.0	M12 x 1.5 7/16-20UNF	6740	4820	2.75 2.74
UCX 15 X 15-48	3	75	5.5118 140	3.2520 82.6	1.2598 32	0.0984 2.5	1.3110 33.3	1.9410 49.3	0.5512 14.0	M12 x 1.5 7/16-20UNF	7260	5300	3.41 3.32
UCX 16		80	5.9055 150	3.3740 85.7	1.3386 34	0.1181 3.0	1.3425 34.1	2.0315 51.6	0.5512 14.0	M12 x 1.5 7/16-20UNF	8390	6180	3.87
UCX 17		85	6.2992 160	3.7795 96.0	1.4173 36	0.1181 3.0	1.5630 39.7	2.2165 56.3	0.5906 15.0	M12 x 1.5 7/16-20UNF	9600	7140	5.05
X 18-56 UCX 18	3 <sup>1</sup> / <sub>2</sub>	90	6.6929 170	4.0944 104	1.5748 40	0.1181 3.0	1.6900 42.9	2.4055 61.1	0.6299 16	M14 x 1.5 9/16-18UNF	10900	8710	6.00
UCX 20 X 20-64	4	100	7.4803 190	4.6260 117.5	1.6929 43	0.1378 3.5	1.9370 49.2	2.6890 68.3	0.7087 18	M16 x 1.5 5/8-18UNF	13300	10500	8.56

# INSERT BALL BEARINGS

# UC3 (HEAVY DUTY)



Bearing No.	Bore Dia. of Bearing		Dimensions (in. (mm))								Basic Load Rating (kgf)	Basic Static Road Rating (kgf)	Weight (kgf)
	d		D	B	C	r	S	S <sub>1</sub>	S <sub>2</sub>	G			
	(in.)	(mm)											
UC 305 305-16	1	25	2.4409 62	1.4961 38	0.8661 22	0.0787 2.0	0.5906 15	0.9055 23	0.2362 6	M6 x 0.75 1/4-28UNF	2100	1090	0.45 0.44
UC 306-18 306	1 1/16	30	2.8346 72	1.6929 43	0.9449 24	0.0787 2.0	0.6693 17	1.0236 26	0.2362 6	M6 x 0.75 1/4-28UNF	2660	1500	0.58 0.56
UC 307-20 307-22 307	1 1/4 1 3/8	35	3.1496 80	1.8897 48	1.0236 26	0.0984 2.5	0.7480 19	1.1417 29	0.3150 8	M8 x 1.0 5/16-28UNF	3330	1920	0.77 0.71 0.71
UC 308-24 308	1 1/2	40	3.5433 90	2.0472 52	1.1024 28	0.0984 2.5	0.7480 19	1.2992 33	0.3937 10	M10 x 1.25 3/8-24UNF	4070	2390	1.05 1.00
UC 309-28 309	1 3/4	45	3.9370 100	2.2441 57	1.1811 30	0.0984 2.5	0.8661 22	1.3780 35	0.3937 10	M10 x 1.25 3/8-24UNF	4890	2950	1.35 1.33
UC 310-31 310	1 5/16	50	4.3307 110	2.4015 61	1.2598 32	0.1181 3.0	0.8661 22	1.5354 39	0.4724 12	M12 x 1.5 7/16-20UNF	6200	3820	1.72 1.69
UC 311-32 311	2	55	4.7244 120	2.5984 66	1.3386 34	0.1181 3.0	0.9842 25	1.6142 41	0.4724 12	M12 x 1.5 7/16-20UNF	7160	4480	2.08 1.90
UC 312		60	5.1181 130	2.7953 71	1.4173 36	0.1378 3.5	1.0236 26	1.7717 45	0.4724 12	M12 x 1.5 7/16-20UNF	8180	5200	2.60
UC 313-40 313	2 1/2	65	5.5118 140	2.9528 75	1.4961 38	0.1378 3.5	1.1811 30	1.7717 45	0.4724 12	M12 x 1.5 7/16-20UNF	9270	5980	3.24 3.16
UC 314-44 314	2 3/4	70	5.9055 150	3.0709 78	1.5748 40	0.1378 3.5	1.2992 33	1.7717 45	0.4724 12	M12 x 1.5 7/16-20UNF	10400	6800	3.91 3.90
UC 315 315-48	3	75	6.2992 160	3.2283 82	1.6535 42	0.1378 3.5	1.2598 32	1.9685 50	0.5512 14	M14 x 1.5 9/16-18UNF	11300	7690	4.70 4.61
UC 316		80	6.6929 170	3.3858 86	1.7323 44	0.1378 3.5	1.3386 34	2.0472 52	0.5512 14	M14 x 1.5 9/16-18UNF	12300	8640	5.60
UC 317		85	7.0866 180	3.7795 96	1.8110 46	0.1575 4.0	1.5748 40	2.2047 56	0.6299 16	M16 x 1.5 5/8-18UNF	13300	9650	6.90
UC 318-56 318	3 1/2	90	7.4803 190	3.7795 96	1.8898 48	0.1575 4.0	1.5748 40	2.2047 56	0.6299 16	M16 x 1.5 5/8-18UNF	14300	10700	8.03 7.87
UC 319		95	7.8740 200	4.0551 103	1.9685 50	0.1575 4.0	1.6142 41	2.4409 62	0.7087 18	M16 x 1.5 5/8-18UNF	15300	11800	8.91
UC 320 320-64	4	100	8.4646 215	4.2519 108	2.2160 54	0.1575 4.0	1.6535 42	2.5984 66	0.7874 20	M18 x 1.5 5/8-18UNF	17300	14100	11.2 11.0
UC 321		105	8.8583 225	4.4094 112	2.2047 56	0.1575 4.0	1.7322 44	2.6772 68	0.7874 20	M18 x 1.5 5/8-18UNF	18400	15300	12.7
UC 322		110	9.4488 240	4.6063 117	2.3622 60	0.1575 4.0	1.8110 46	2.7953 71	0.7874 20	M18 x 1.5 5/8-18UNF	20500	17900	15.1
UC 324		120	10.2362 260	4.9606 126	2.5197 64	0.1575 4.0	2.0079 51	2.9527 75	0.7874 20	M18 x 1.5 5/8-18UNF	20700	18500	19.0
UC 326		130	11.0236 280	5.3150 135	2.6772 68	0.1969 5.0	2.1260 54	3.1890 81	0.7874 20	M20 x 1.5 3/4-16UNF	22900	21400	23.6
UC 328		140	11.8110 300	5.7086 145	2.8346 72	0.1969 5.0	2.3228 59	3.3858 86	0.7874 20	M20 x 1.5 3/4-16UNF	25300	24600	29.4