

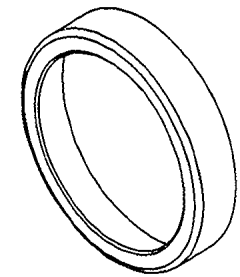
JD8253 CC40 1/1 B

SYM	REVISION	DECISION	DATE	APPROVED
-	NEU/NEW	7146	19921112	GB
A	REDESSINE PRO/E / (CAMBRIC)	0877	20011008	MAS

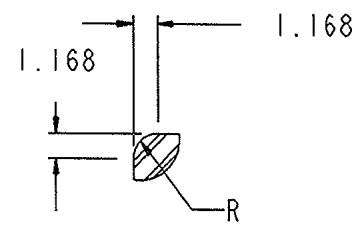
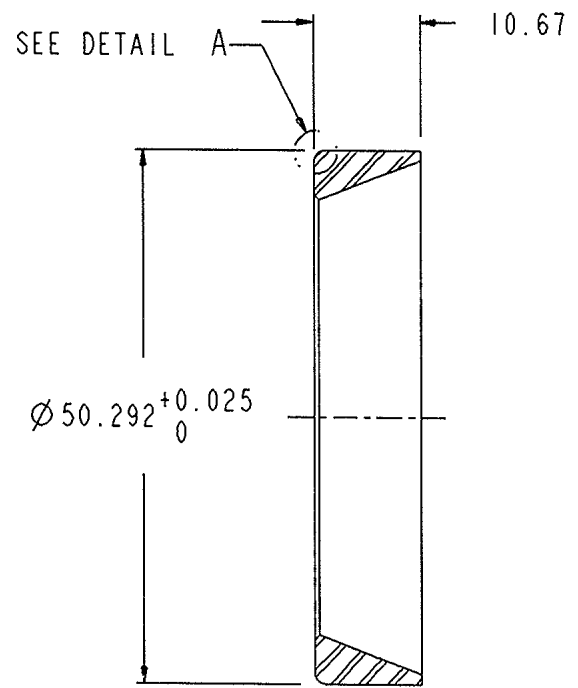
BASIC RADIAL RATING: 415 KG MIN
 BASIC THRUST RATING: 265 KG MIN
 (BASED ON CONE ROTATION OF 500 RPM
 AND A B-10 LIFE OF 3000 HOURS)

BASIS RADIAL BELASTUNG: 415 KG MIN
 BASIS AXIAL BELASTUNG 265 KG MIN
 (FUER EINE UMDREHUNGSGESCHW. VON 500 UPM
 UND EINE LEBENSDAUER B-10 VON 3000 STD.)

CAPACITE RADIALE DE BASE: 415 KG MIN
 CAPACITE AXIALE DE BASE: 265 KG MIN
 (POUR UNE VITESSE DE ROTA. DE 500 TR/MN
 ET UNE DUREE DE VIE DE 3000 HEURES)



ISOMETRIC VIEW
 SCALE 1:1



DETAIL A
 SCALE 4:1

ANFRAGEZEICHNUNG
 REQUIREMENT DRAWING

FOR TOLERANCES NOT SHOWN
 SEE JDS-G25 GENERAL TOLERANCES

MATL PURCHASE BEZOGEN ACHETEE JDM MATL REF STEEL: PURCHASE- SEE SPECIFICATIONS	THIS DRAWING AND THE INFORMATION HEREON ARE OUR PROPERTY AND MAY BE USED BY OTHERS ONLY AS AUTHORIZED BY US. UNPUBLISHED-ALL RIGHTS RESERVED UNDER THE COPYRIGHT LAWS.		DWN MAS 20011008		DEERE & COMPANY MOLINE, ILLINOIS 61265				
	REFERENCES: JDS-G113 DRAFTING		CHK						CUP, TAPER ROLLER BEARING KEGELLAGER-AUSSENRING CUVETTE DE ROULEMENT
	MODEL RL	MODEL REV	CHK		SIZE B	CAGE CODE	JD8253	VERSION CC40	
	DESIGN COMPI 1.1	DRW RL	DRW REV	APYD	DESIGN CONTROL N	SCALE 2:1	METRIC	SHEET 1/1	B
DESIGN COMPI 1.1+	C/C	TERM. CODE 0550 07	C/K		SCALE 2:1 METRIC				

JD8253
 CC40 1/1 B