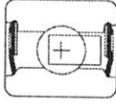
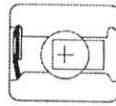
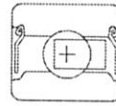
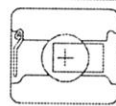
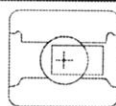


1600 Series™ Precision Ground Radial Bearings

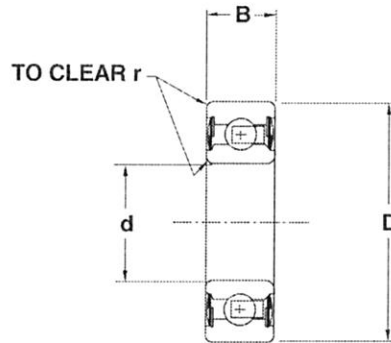
Precision ground 1600 Series™ bearings are specially designed to provide a line of low cost yet high quality bearings for adaptation to a majority of precision bearing applications. They are made in easy to use inch dimensions and are recommended for medium loads and for maximum speeds in the range of 5000 rpm.

The 1600 Series™ bearings are precision ground on all surfaces with exceptional care given to the ball grooves. Careful heat treatment provides a uniform and exact degree of hardness for maximum life. A ball retainer, or separator, is used to increase the range of allowable speeds by reducing ball-to-ball contact friction. The 1600 Series™ radial bearings are available open, single or double shielded, or single or double sealed. Double sealed and double shielded bearings are supplied grease packed as standard. Open and single closure bearings can be supplied greased on request.

BEARING NUMBER					PRINCIPLE DIMENSIONS		
 DOUBLE SEAL	 SINGLE SEAL	 DOUBLE SHIELD	 SINGLE SHIELD	 OPEN	BORE d (in) (mm) +.0000 +.000 -.0005 -.013	O.D. D (in) (mm) +.0000 +.000 -.0005 -.013	
1602DC ⑤	1602SC ⑤	1602DS	1602SS	1602NS	0.2500 6.350	0.6875 17.463	
1603DC	1603SC	1603DS	1603SS	1603NS	0.3125 7.938	0.8750 22.225	
1604DC	1604SC	1604DS	1604SS	1604NS	0.3750 9.525	0.8750 22.225	
1605DC	1605SC	1605DS	1605SS	1605NS	0.3125 7.938	0.9063 23.020	
1606DC	1606SC	1606DS	1606SS	1606NS	0.3750 9.525	0.9063 23.020	
1607DC	1607SC	1607DS	1607SS	1607NS	0.4375 11.113	0.9063 23.020	
1614DC	1614SC	1614DS	1614SS	1614NS	0.3750 9.525	1.1250 28.575	
1615DC	1615SC	1615DS	1615SS	1615NS	0.4375 11.113	1.1250 28.575	
1616DC	1616SC	1616DS	1616SS	1616NS	0.5000 12.700	1.1250 28.575	
1620DC	1620SC	1620DS	1620SS	1620NS	0.4375 11.113	1.3750 34.925	
1621DC	1621SC	1621DS	1621SS	1621NS	0.5000 12.700	1.3750 34.925	

- ① Width for sealed versions = 0.3125 (7.938)
- ② Width for sealed versions = 0.3438 (8.733)
- ③ Weights given are for greased and sealed versions
- ④ 1638 and larger +.0000/-.0006 (+.000/-.15)
- ⑤ Multi-part seal see page 42

1600 Series™ Precision Ground Radial Bearings

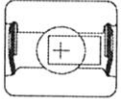
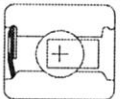
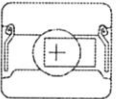
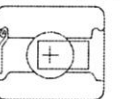
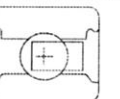


	BASIC LOAD RATINGS		WEIGHT	ABUTMENT AND FILLET DIMENSIONS		
	WIDTH B (in) (mm) +.000 +.000 -.005 -.13	DYNAMIC C (lbs) (N)		STATIC Co (lbs) (N)	W ^③ (lbs) (kg)	d _a min (in) (mm)
0.2500 ① 6.350	511 2274	170 757	0.02 0.01	0.330 8.38	0.614 15.60	0.012 0.30
0.2813 ② 7.150	644 2866	255 1135	0.03 0.01	0.474 12.04	0.778 19.76	0.012 0.30
0.2813 ② 7.150	644 2866	255 1135	0.03 0.01	0.474 12.04	0.778 19.76	0.015 0.38
0.3125 7.938	698 3106	300 1335	0.04 0.02	0.503 12.78	0.778 19.76	0.012 0.30
0.3125 7.938	698 3106	300 1335	0.04 0.02	0.517 13.13	0.778 19.76	0.015 0.38
0.3125 7.938	698 3106	300 1335	0.03 0.01	0.517 13.13	0.778 19.76	0.015 0.38
0.3750 9.525	1200 5340	475 2114	0.06 0.03	0.595 15.11	1.014 25.76	0.025 0.64
0.3750 9.525	1200 5340	475 2114	0.06 0.03	0.622 15.80	1.014 25.76	0.025 0.64
0.3750 9.525	1200 5340	475 2114	0.06 0.03	0.622 15.80	1.014 25.76	0.025 0.64
0.4375 11.113	1878 8357	850 3783	0.12 0.05	0.658 16.71	1.203 30.56	0.025 0.64
0.4375 11.113	1878 8357	850 3783	0.11 0.05	0.720 18.29	1.203 30.56	0.025 0.64

1600 Series™ Precision Ground Radial Bearings (con't)

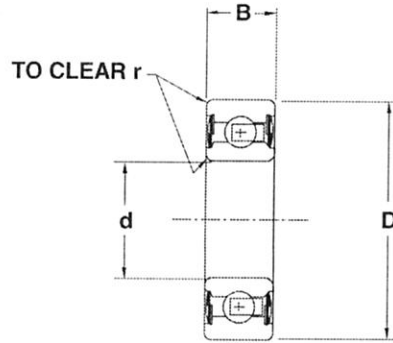
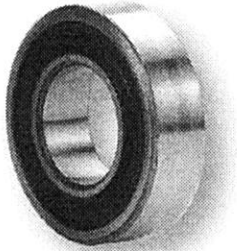
Precision ground 1600 Series™ bearings are specially designed to provide a line of low cost yet high quality bearings for adaptation to a majority of precision bearing applications. They are made in easy to use inch dimensions and are recommended for medium loads and for maximum speeds in the range of 5000 rpm.

The 1600 Series™ bearings are precision ground on all surfaces with exceptional care given to the ball grooves. Careful heat treatment provides a uniform and exact degree of hardness for maximum life. A ball retainer, or separator, is used to increase the range of allowable speeds by reducing ball-to-ball contact friction. The 1600 Series™ radial bearings are available open, single or double shielded, or single or double sealed. Double sealed and double shielded bearings are supplied grease packed as standard. Open and single closure bearings can be supplied greased on request.

BEARING NUMBER					PRINCIPLE DIMENSIONS	
 DOUBLE SEAL	 SINGLE SEAL	 DOUBLE SHIELD	 SINGLE SHIELD	 OPEN	BORE d (in) (mm) +.0000 +.000 -.0005 -.013	O.D. D (in) (mm) +.0000 +.000 -.0005 -.013
1623DC	1623SC	1623DS	1623SS	1623NS	0.6250 15.875	1.3750 34.925
1628DC	1628SC	1628DS	1628SS	1628NS	0.6250 15.875	1.6250 41.275
1630DC	1630SC	1630DS	1630SS	1630NS	0.7500 19.050	1.6250 41.275
1633DC	1633SC	1633DSD	1633SS	1633NS	0.6250 15.875	1.7500 44.450
1635DC	1635SC	1635DS	1635SS	1635NS	0.7500 19.050	1.7500 44.450
1638DC ④	1638SC	1638DS	1638SS	1638NS	0.7500 19.050	2.0000 50.800
1640DC ④	1640SC	1640DS	1640SS	1640NS	0.8750 22.225	2.0000 50.800
1641DC ④	1641SC	1641DS	1641SS	1641NS	1.0000 25.400	2.0000 50.800
1652DC ④ ⑤	1652SC	1652DS	1652SS	1652NS	1.1250 28.575	2.5000 63.500
1654DC ④ ⑤	1654SC	1654DS	1654SS	1654NS	1.2500 31.750	2.5000 63.500
1657DC ④ ⑤	1657SC	1657DS	1657SS	1657NS	1.2500 31.750	2.5625 65.088

- ① Width for sealed versions = 0.3125 (7.938)
- ② Width for sealed versions = 0.3438 (8.733)
- ③ Weights given are for greased and sealed versions
- ④ 1638 and larger +.0000/-.0006 (+.000/-.15)
- ⑤ Multi-part seal see page 42

1600 Series™ Precision Ground Radial Bearings (con't)



WIDTH B (in) (mm) +0.000 +0.000 - .005 -.13	BASIC LOAD RATINGS		WEIGHT	ABUTMENT AND FILLET DIMENSIONS		
	DYNAMIC C (lbs) (N)	STATIC Co (lbs) (N)	W³ (lbs) (kg)	d_a min (in) (mm)	D_a max (in) (mm)	r max (in) (mm)
0.4375 11.113	1878 8357	850 3783	0.10 0.05	0.753 19.13	1.203 30.56	0.025 0.64
0.5000 12.700	2595 11548	1010 4495	0.18 0.08	0.845 21.46	1.446 36.73	0.025 0.64
0.5000 12.700	2595 11548	1010 4495	0.16 0.07	0.965 24.51	1.446 36.73	0.025 0.64
0.5000 12.700	2593 11539	1025 4561	0.22 0.10	0.845 21.46	1.530 38.86	0.025 0.64
0.5000 12.700	2593 11539	1025 4561	0.20 0.09	0.965 24.51	1.530 38.86	0.025 0.64
0.5625 14.288	2967 13203	1350 6008	0.32 0.15	0.988 25.10	1.760 44.70	0.035 0.89
0.5625 14.288	2967 13203	1350 6008	0.29 0.13	1.113 28.27	1.760 44.70	0.035 0.89
0.5625 14.288	2967 13203	1350 6008	0.26 0.12	1.197 30.40	1.760 44.70	0.035 0.89
0.6250 15.875	3864 17195	2120 9434	0.38 0.17	1.375 34.93	2.244 57.00	0.035 0.89
0.6250 15.875	3864 17195	2120 9434	0.46 0.21	1.500 38.10	2.244 57.00	0.035 0.89
0.6875 17.463	5360 23852	2620 11659	0.51 0.23	1.500 38.10	2.314 58.78	0.035 0.89