

UC310-	1-7/8	4.3307	2.4015	1.2598	0.118	0.8661	1.5354	0.4724	7/16-20	0.394	4850	3640	1.75
30	1-50	110	61	32	3	22	39	12	M12×1.5	10			1.67
310	15/16												1.65
-31													
UC310													
UC311-	2												2.30
32	2-1/2												2.20
311	2-55												2.00
-34	3/16										5620	4280	2.10
311		4.7244	2.5984	1.3386	0.118	0.9842	1.6142	0.4724	7/16-20	0.421			
-35													
UC311		120	66	34	3	25	41	12	M12×1.5	10.7			
UC312-	2-1/4												2.80
36	2-3/8												2.60
312	2-												2.60
-38	7/16										6420	4960	2.50
312		5.1181	2.7953	1.4173	0.138	1.0236	1.7717	0.4724	7/16-20	0.433			
-39													
UC312	60	130	71	36	3.5	26	45	12	M12×1.5	11.5			
UC313-	2-1/2	5.5118	2.9528	1.4961	0.138	1.1811	1.7717	0.4724	7/16-20	0.480			3.46
40		140	75	38	3.5	30	45	12	M12×1.5	12.2	7370	5780	3.32
UC313	65												
UC314-	2-3/4	5.9055	3.0709	1.5748	0.138	1.2992	1.7717	0.4724	7/16-20	0.512			3.90
44		150	78	40	3.5	33	45	12	M12×1.5	13	8170	6480	3.90
UC314	70												
UC315-	3	6.2992	3.2283	1.6535	0.138	1.2598	1.9685	0.5512	1/2-20	0.543			4.33
48		160	82	42	3.5	32	50	14	M14×1.5	13.8	8900	7310	4.18
UC315	75												
UC316-	3-1/8	6.6929	3.3858	1.7323	0.138	0.3386	2.0472	0.5512	1/2-20	0.571			
50		170	86	44	3.5	34	52	14	M14×1.5	14.5	9650	8330	5.25
UC316	80												
UC317-	3-1/4	7.0866	3.7795	1.8110	0.157	1.5748	2.2047	0.6299	5/8-18	0.591			
52		180	96	46	4	40	56	16	M16×1.5	15	10410	9130	7.00
UC317	85												6.70
UC318-	3-1/2	7.4803	3.7795	1.8897	0.157	1.5748	2.2047	0.6299	5/8-18	0.626			
56		190	96	48	4	40	56	16	M16×1.5	16.7	11300	10300	7.65
UC318	90												7.60
UC319-	3-3/4	7.8740	4.0551	1.9685	0.157	1.6142	2.4409	0.6299	5/8-18	0.657			
60		200	103	50	4	41	62	16	M16×1.5	16.7	12300	11600	8.75
UC319	95												8.75
UC320-	4	8.4646	4.2519	2.1260	0.157	1.6535	2.5984	0.7087	3/4-16	0.789			
64		215	108	54	4	42	66	18	M18×1.5	18	14300	12800	10.03
UC320	100												10.28

WD Bearing Group

Headquarter: 270, Zhongshan Road, Wuxi, P.R. China, 214002

Direct Line: +86-510-8279 1933

Email: sales@wd-bearing.com

About Products

Ball bearing inserts (Technology Guide-tolerances and clearances)

Ball bearing inserts (inch-mm conversation table)

CSB series

SC series

SER2 normal-duty

UK2 Type

SB2 Series SB2G Series; SA2 Series SA2G Series

Ball Bearing Inserts NA2 and HC2

UCX series



0 Search VXB Bearings
Enter keywords

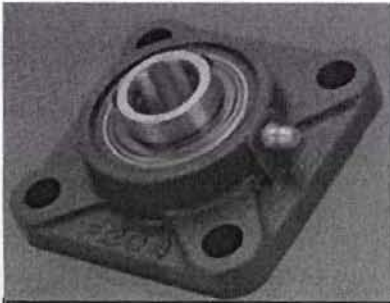
Toll Free Number (800) 928-4430
Go Hablamos Español (800) 892-2558



Buy online FYH Bearing UCF314 70mm Square Flanged Mounted Bearings

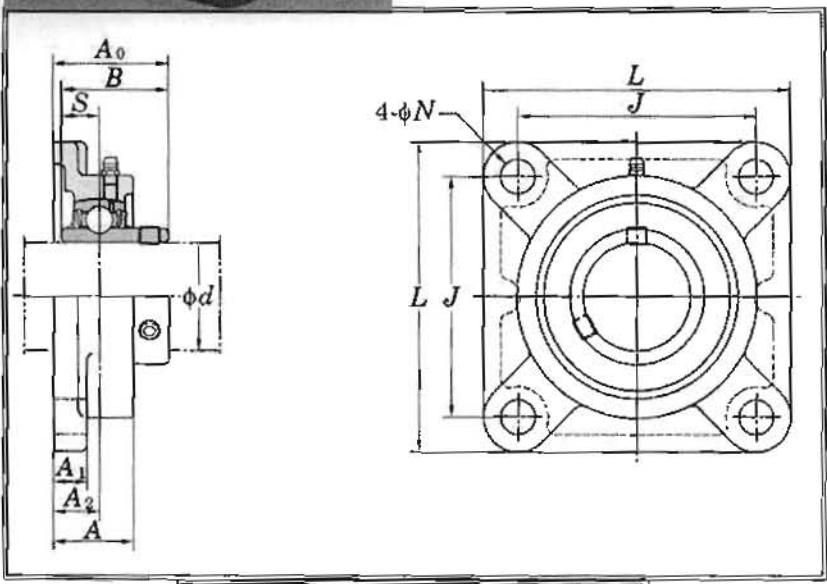
VXB Home > Metric Miniature Bearings > Bearings with Large Inner diameter

FYH Bearing UCF314 70mm Square Flanged Mounted Bearings



Quantity In Basket: None
Part Number: Kit11567
Our Low Price: \$242.75
Shipping Weight: 22.48 pounds

Quantity: 1



FYH Bearings
Square Flanged Mounted Bearing
Cylindrical bore (with set screws)
70mm Inner Diameter Bearing



This heavy duty four-bolt flange unit has a round cartridge on the backside of the flange which allows for precise mounting and alignment.
Applications : Rotating drum, rotating roller, precise mounting accuracy is required

- d = 70mm
- L = 226mm
- A = 61mm
- J = 178mm
- N = 25mm
- A1 = 25mm
- A2 = 36mm
- A0 = 81mm
- B = 78mm
- S = 33mm

- Components
- (1) Housing
 - (2) Bearing
 - (3) Rubber Seal
 - (4) Set Screw

- [M] Material
- Alloy Cast Iron Class No.30
 - 52100 Bearing Steel
 - Nitrile Rubber (NBR)
 - 4137 Alloy Steel

FYH Bearing UCF314 70mm Square Flanged Mounted Bearings

Your basket is empty

Bearings

Find Bearings By Size
Use Our Bearings Finder

Bearings RFO
Request for Quotation

Ball Bearing

